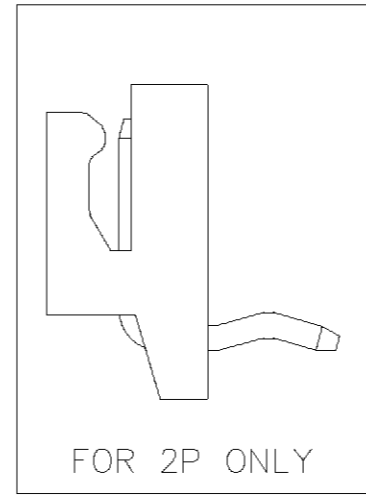
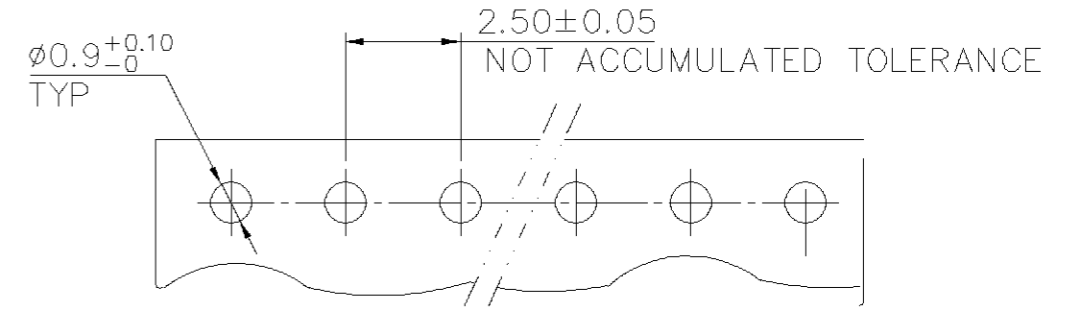


1 POSITION



FOR 2P ONLY

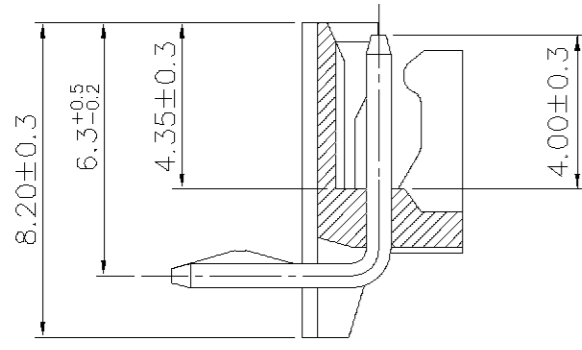


RECOMMENDED PCB LAYOUT  
( PCB THK=1.0~1.6 )

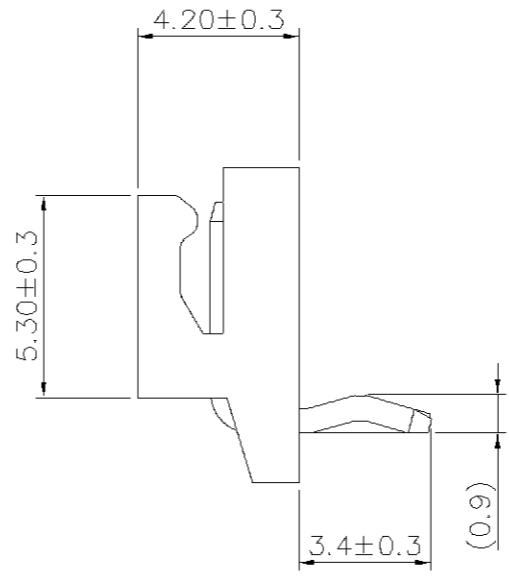
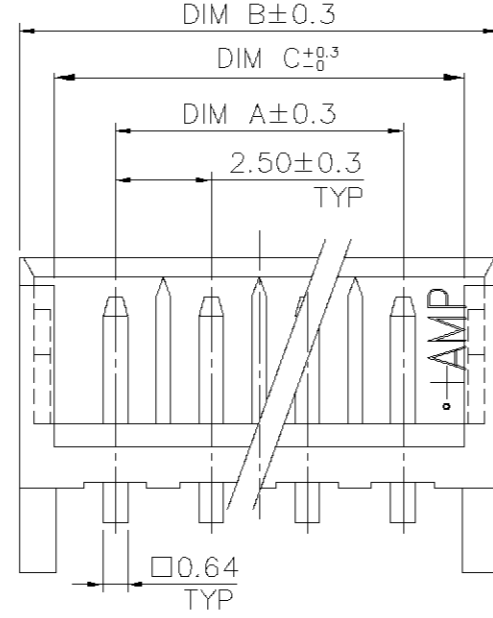
NOTE:

1. MATERIAL: POST: BRASS TIN-PLATED  
HOUSING: NYLON 66 UL 94V-0
2. WHEN EXTRACTING RECEPTACLE HOUSING FROM HEADER, NOT WIRE BUT RECEPTACLE HOUSING SHOULD BE GRIPED IN ORDER TO AVOID THE WIRE BREAKAGE.

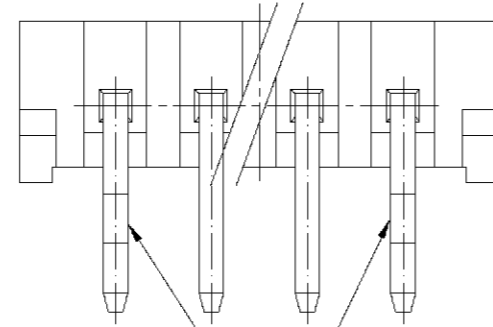
**3** OBSOLETE PARTS: OBSOLETE CIS STREAMLINING PER D.RENAUD/D.SINISI



SEC. A-A



FOR 3P TO 15P



KINKING FORMING  
2PLC

DIM C	DIM B	DIM A	CIRCUITS	PATR NO.
38.2	40.0	35.00	15P	1-440053-5
35.7	37.5	32.50	14P	1-440053-4
33.2	35.0	30.00	13P	1-440053-3
30.7	32.5	27.50	12P	1-440053-2
28.2	30.0	25.00	11P	1-440053-1
25.7	27.5	22.50	10P	1-440053-0
23.2	25.0	20.00	9P	440053-9
20.7	22.5	17.50	8P	440053-8
18.2	20.0	15.00	7P	440053-7
15.7	17.5	12.50	6P	440053-6
13.2	15.0	10.00	5P	440053-5
10.7	12.5	7.50	4P	440053-4
8.2	10.0	5.00	3P	440053-3
5.7	7.5	2.50	2P	440053-2

**3** OBSOLETE

DIMENSION : 0 PLC ± 1 PLC ± 2 PLC ± 3 PLC ± ANGLES ±		DR. A. WU 31-JAN-2001			
MATERIAL  SEE NOTE		CHK. J. CHENG 31-JAN-2001			
FINISH  SEE NOTE		APP. J. WU 31-JAN-2001		NAME  2.5 MM PITCH HPI RIGHT-ANGLE POST HEADERS.	
PRODUCT SPEC 108-57099		APPLICATION SPEC		LOC DW A <sub>3</sub>	DRAWING NO C-440053
WEIGHT		SCALE --		REV A2	SHEET 1 OF 1

A2	REVISION RECORD	REVISD PER ECO-11-005301	RK HMR 6APR11
LTR	ECO	DR/CHK	DATE